

SWITCH CAP
P/N:SC119

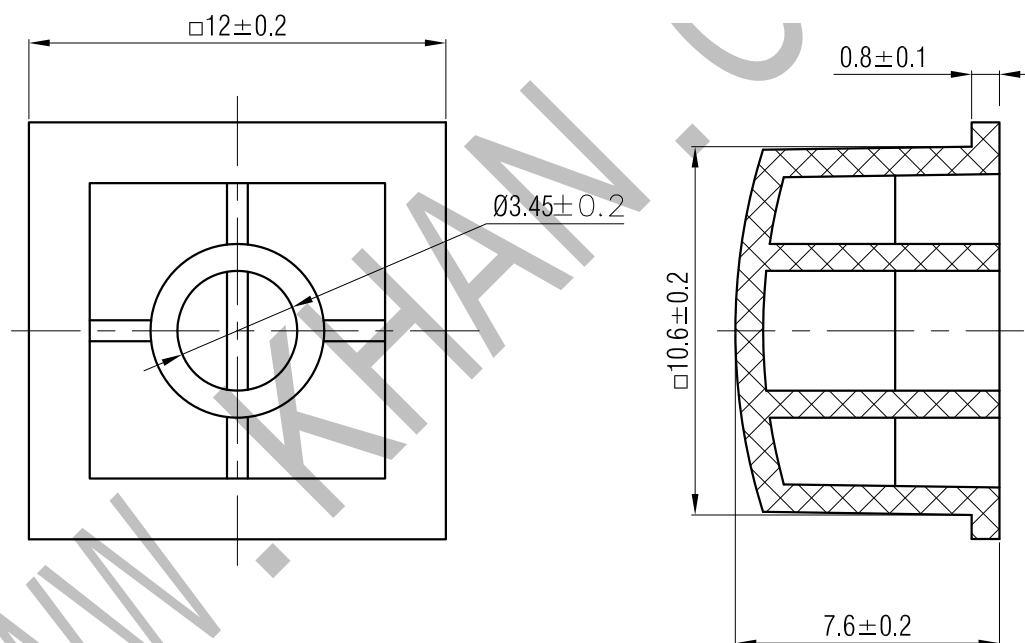


Materials ABS

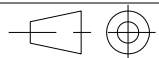
Color Grey
(OEM AVAILABLE)

Packaging

Bulk Package
Inner Package: Plastic bag
Outer Package: Carton



WENZHOU KHAN ELECTRONIC

VERSION		PROJECTION	DESIGN	SHUQING ZHU
KH14FE22E			DRAWN	ZHONGJU PENG
SCALE	SIZE	 Dimensions are shown:mm(inches) 2020.04.13	APPROVAL	JUNHUI XU
5:1	A4			